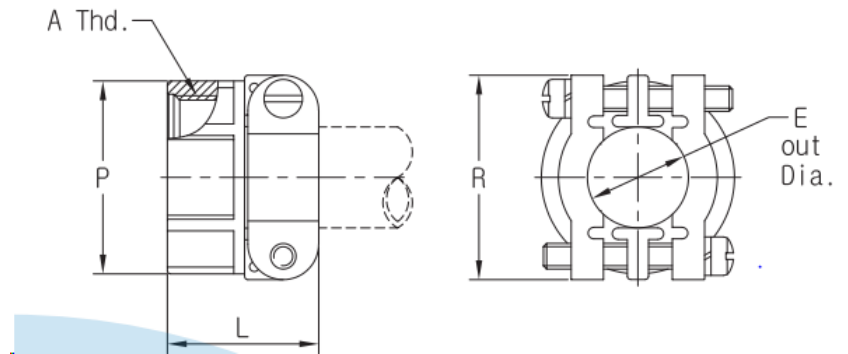


# SPEC SHEET



Mil-DTL-5015 Accessories  
 Cable Clamp  
 MS-3057  
 Uses MS-3420 Sleeves  
 "For use" with bushing MS-3420



| Part#      | Shell Size    | E     |       | L     | P     | R     | A Thread      |
|------------|---------------|-------|-------|-------|-------|-------|---------------|
|            |               | Min   | Max   | t0.79 | t0.79 | t0.79 | Class : 2B    |
| MS3057-4A  | 10SL, 12S, 12 | 3.56  | 7.92  | 20.62 | 20.62 | 22.22 | 5/8-24UNEF    |
| MS3057-6A  | 14S, 14       | 4.95  | 11.13 | 22.22 | 24.61 | 26.97 | 3/4-20UNEF    |
| MS3057-8A  | 16S, 16       | 6.48  | 14.27 | 23.83 | 27.79 | 29.36 | 7/8-20UNEF    |
| MS3057-10A | 18            | 7.24  | 15.88 | 23.83 | 30.18 | 31.75 | 1-20UNEF      |
| MS3057-12A | 20.22         | 8.89  | 19.05 | 23.83 | 34.92 | 37.31 | 1 3/16-18UNEF |
| MS3057-16A | 24.28         | 11.89 | 23.83 | 26.19 | 42.06 | 42.88 | 1 7/16-18UNEF |
| MS3057-20A | 32            | 16.87 | 31.75 | 27.79 | 51.59 | 51.59 | 1 3/4-18UNS   |
| MS3057-24A | 36            | 17.63 | 34.92 | 29.36 | 56.36 | 57.94 | 2-18UNS       |

Above dimensions in mm

| Finish   |  |
|--|--|
| <b>Blank - Conductive Olive Drab Chromate Over Cadmium or Zinc Plate</b> |  |
| <b>01</b>  | <b>Black Anodize</b>                               |
| <b>02</b>  | <b>Electroless Nickel Plate</b>                    |
| <b>03</b>  | <b>Black Zinc Cobalt Plate* Standard MRO Stock</b> |

for other platings please contact Sales

MRO ELECTRONIC SUPPLY LTD.

Contact MRO for more information at (403)291-0501  
 sales@mroelectronics.com