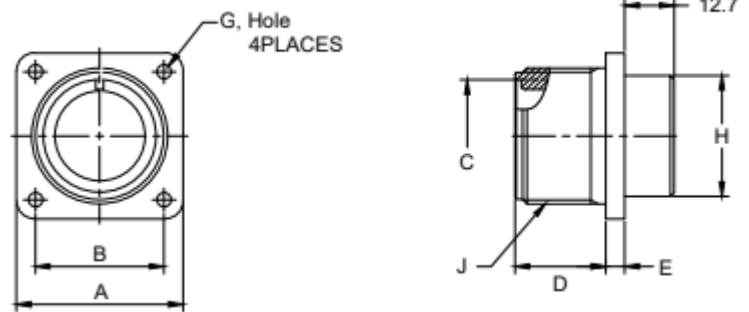


SPEC SHEET



Mil-DTL-5015 Connectors
 Boxing Mount Receptacle (MS3102)
 Class "E" "R"
 Insert layouts as per MIL-DTL-5015



Part#	A +0.79	B +0.12	C Dia +0.38 -0.00	D +0.79 -0.00	E Max./Min	G Da +0.25 -0.13	H Dia Max.	J Thread. (Class: 2A)
MS3102x10SL-xxxx	25.40	18.26	11.38	14.28	3.96/1.58	3.05	15.9	5/8-24UNEF
MS3102x12S-xxxx	27.79	20.62	14.15	14.28	3.96/1.58	3.05	15.9	3/4-20UNEF
MS3102x12-xxxx	27.79	20.62	14.15	19.05	3.96/1.58	3.05	15.9	3/4-20UNEF
MS3102x14S-xxxx	30.18	23.01	17.33	14.28	3.96/1.58	3.05	19.0	7/8-20UNEF
MS3102x14-xxxx	30.18	23.01	17.33	19.05	3.96/1.58	3.05	19.0	7/8-20UNEF
MS3102x16S-xxxx	32.54	24.61	20.50	14.28	3.96/1.58	3.05	22.2	1-20UNEF
MS3102x16-xxxx	32.54	24.61	20.50	19.05	3.96/1.58	3.05	22.2	1-20UNEF
MS3102x18-xxxx	34.93	26.97	23.68	19.05	5.12/2.39	3.05	25.4	1 1/8-18UNEF
MS3102x20-xxxx	38.10	29.36	26.88	19.05	5.12/2.39	3.05	29.0	1 1/4-18UNEF
MS3102x22-xxxx	41.28	31.75	30.03	19.05	5.12/2.39	3.05	32.2	1 3/8-18UNEF
MS3102x24-xxxx	44.45	34.93	33.2	20.63	5.12/2.39	3.73	35.3	1 1/2-18UNEF
MS3102x28-xxxx	50.80	39.67	38.77	20.63	5.12/2.39	3.73	41.2	1 3/4-18UNS
MS3102x32-xxxx	57.15	44.45	45.12	22.23	9.11/3.18	4.39	47.6	2-18UNS
MS3102x36-xxxx	63.50	49.23	50.68	22.23	9.11/3.18	4.39	52.4	2 1/4-16UN

Above measurements in mm

Finish	
Blank - Conductive Olive Drab Chromate Over Cadmium or Zinc Plate	
01	Black Anodize
02	Electroless Nickel Plate
03	Black Zinc Cobalt Plate* Standard MRO Stock

* For other plating please contact sales

MRO ELECTRONIC SUPPLY LTD.

Contact MRO for more information at (403)291-0501
 sales@mroelectronics.com