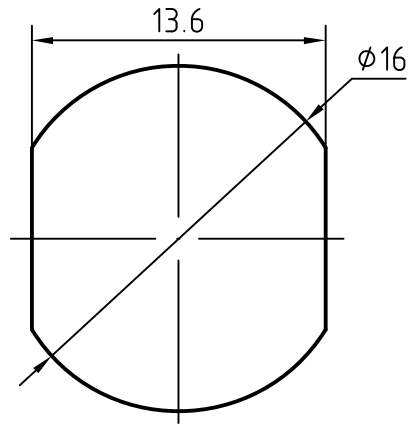
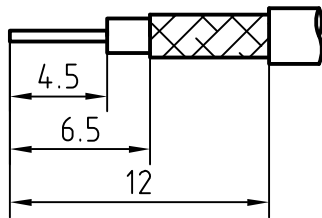


CABLE(RG174A/U, RG188A/U, RG316/U)

Mounting hole



5	1	Washer	Phosphor bronze/Nickel plated
4	1	Nut	Brass/Nickel plated
3	1	Center contact	Phosphor bronze/Gold plated
2	1	Insulator	PTFE
1	1	Body	Brass/SUC0plated
Itemref	Quantity	Title/Name, designation, material, dimension etc	
		Article No./Reference	

Designed by
Mingang Han

Checked by
Jinlong GU

Approved by - date
Hongyu Du

File name
N-KY3Y-2

Date
09.12.04

Scale
3 : 1



11030841

Edition
1.0

Sheet
1/1

CHARACTERISTICS

DESCRIPTION: N Type female BH connector

Electrical data:

<i>Impedance:</i>	50 ohm
<i>Frequency range:</i>	DC to 11 GHz
<i>Return loss:</i>	≥30dB, DC-2.5GHz ≥28dB, 2.5-4GHz ≥20dB, 4-8GHz
<i>Insertion loss:</i>	≤0.15dB, DC-4GHz
<i>Insulation resistance:</i>	≥5000MΩ
<i>Test voltage:</i>	2500 V rms
<i>Working voltage:</i>	1400 V rms
<i>Contact resistance:</i>	
1). Centre contact:	1.0 mΩ
2). Outer conductor:	0.25 mΩ
<i>Power handling (at 20 ° C, sea level, VSWR 1.0):</i>	1000 W @ 1 GHz, 700 W @ 2 GHz
<i>RF-leakage</i>	≥128 dB up to 1 GHz

Environmental data:

<i>Temperature rating:</i>	-55° C to +155° C
<i>2002/95/EC (RoHS):</i>	Compliant

Mechanical data:

<i>Mating cycles:</i>	≥500
<i>Center contact captivation:</i>	≥28 N(axial)
<i>Coupling nut retention :</i>	≥450 N
<i>Coupling test torque:</i>	≤1.7 Nm
<i>Recommended torque:</i>	0.70 Nm to 1.10 Nm

Suitable cables:

RG174A/U, RG188A/U, RG316/U