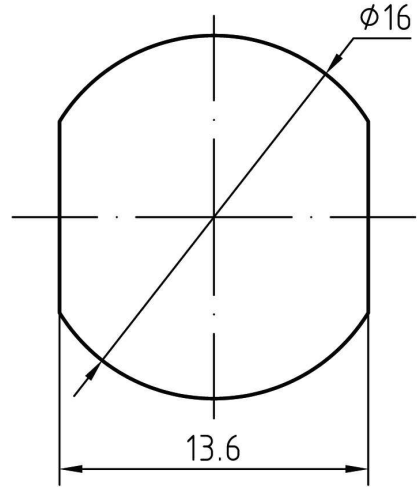
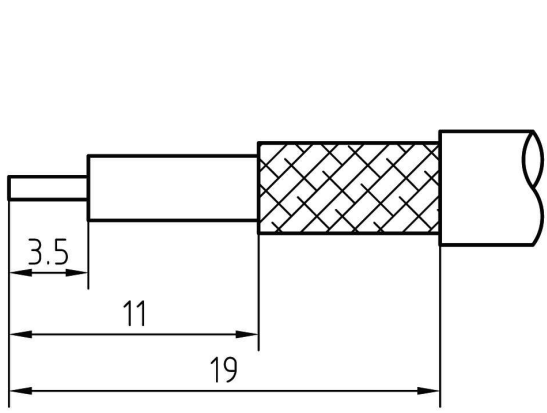


CABLE(RLMR240)

MOUNTING HOLE



5	1	O ring	Silicon rubber	
4	1	Lockwasher	Brass/White Brass	
3	1	Body and Nut	Brass/White Brass	
2	1	Insulator	PFTE	
1	1	Center contact	Phosphor bronze/Gold plated	
Itemref	Quantity	Title/Name, designation, material, dimension etc		Article No./Reference

PART: 11031245	Approved by - date	File name	Date	Scale 4 : 1
-----------------------	--------------------	-----------	------	----------------

MRO Electronic Supply Ltd

Edition 1.0	Sheet 1/1
----------------	--------------

CHARACTERISTICS

DESCRIPTION: N Type female BH connector

Electrical data:

Impedance:	50 ohm
Frequency range:	DC to 8 GHz
VSWR:	$\leq 1.05 + 0.06 \times f \text{ [GHz]}$
Insertion loss:	$\leq 0.12 \times \sqrt{f \text{ [GHz]}} \text{ dB}$
Insulation resistance:	$\geq 5000 \text{ M}\Omega$
Test voltage:	2500 V rms
Working voltage:	1400 V rms
Contact resistance:	
1). Centre contact:	$\leq 1.0 \text{ m}\Omega$
2). Outer conductor:	$\leq 0.2 \text{ m}\Omega$
Power handling (at 20 ° C, sea level, VSWR 1.0):	1000 W @ 1 GHz 700 W @ 2 GHz

- Limitations are possible due to the used cable type -

Environmental data:

Temperature rating:	-65 ° C to +165 ° C
2002/95/EC (RoHS):	Compliant

Mechanical data:

Mating cycles:	≥ 500
Coupling test torque:	$\leq 1.7 \text{ Nm}$
Recommended torque:	0.7 Nm to 1.1 Nm

Suitable cables:

LMR240