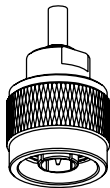
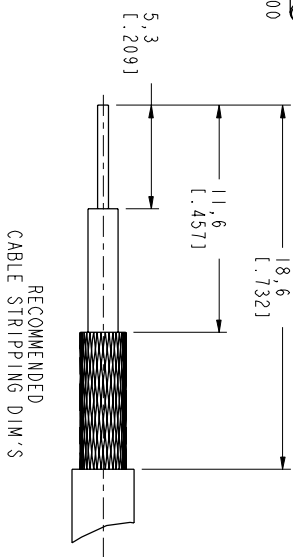


NOTES:

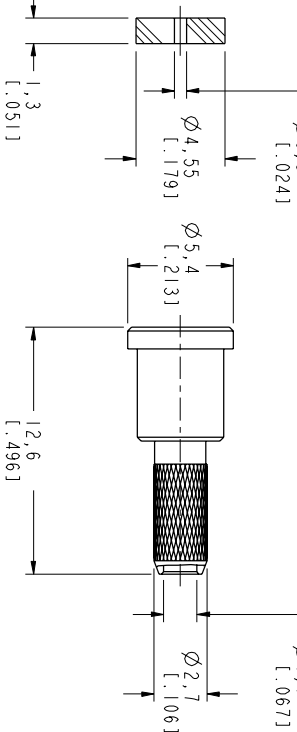
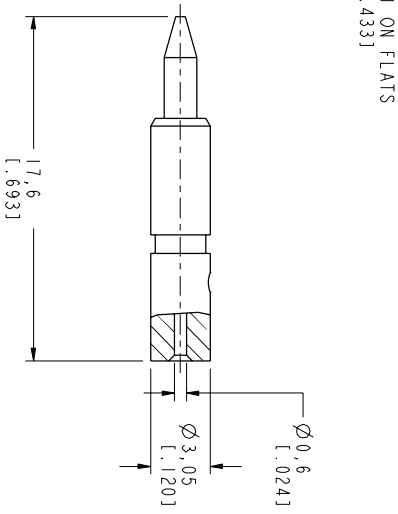
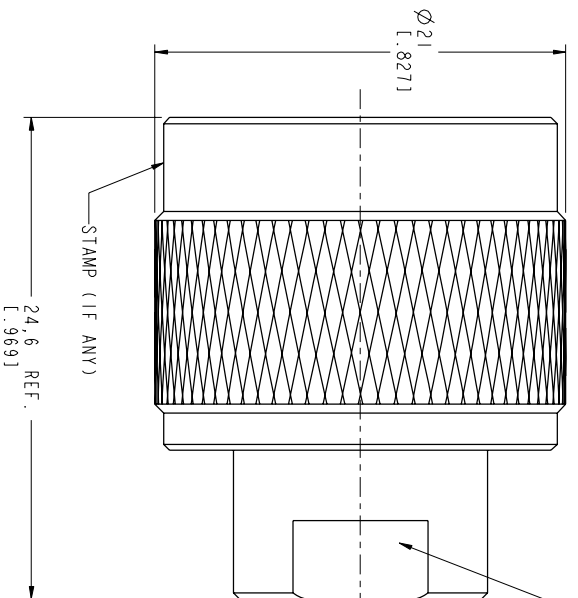
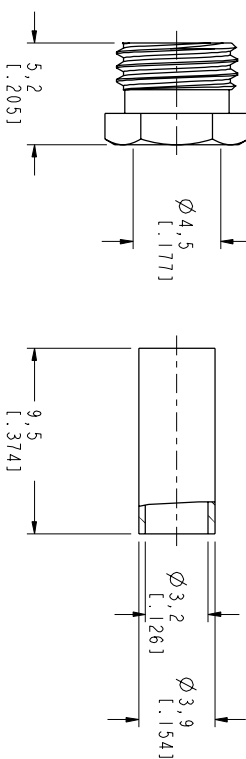
1. MATERIAL AND FINISHES:
BODY - BRASS, NICKEL PLATING
CONTACT - BRASS, GOLD PLATING
INSULATOR - PTFE, NATURAL
2. ELECTRICAL:
A. IMPEDANCE: 50 OHM
B. FREQUENCY RANGE: 0 - 11 GHz
C. DIELECTRIC WITHSTANDING VOLTAGE: 2500 VRMS. MIN.
3. MECHANICAL:
A. DURABILITY: 500 CYCLES MIN.
B. TEMPERATURE RANGE: -65°C TO +165°C
4. CRIMPED FERRULE
HEX CRIMP SIZE .128"
5. CRIMP CONTACT PIN
HEX CRIMP SIZE .128" OR SOLDER



SCALE 1.000



RECOMMENDED
CABLE STRIPPING DIM'S



CUSTOMER OUTLINE DRAWING
ALL OTHER SHEETS ARE FOR INTERNAL USE ONLY

THIRD ANGLE PROJ.

REVIS IONS

REV	DESCRIPTION	DATE	ECO	APPR
A	RELEASE TO MFG.	24-Oct-98	-----	MC
B	Ø3.05" WAS Ø3". UPDATE PER VENDOR DRAWING	16-Apr-14	2718	SH

UNLESS OTHERWISE SPECIFIED, DIMENSIONS ARE IN METRIC AND TOLERANCES ARE:
 <0.5mm ±0.05mm 0.5 - 6mm ±0.1mm 6 - 30mm ±0.2mm 30 - 120mm ±0.3mm ANGLES ±1°
 NOTICE - These drawings, specifications, or other data (1) are, and remain the property of Amphenol Corp. (2) must be returned upon request; and (3) are confidential and not to be disclosed to any person other than those to whom they are intended. Amphenol Corp. reserves the right to change specifications, drawings, or other data by Amphenol Corp., or to any other person to anyone for any purpose without notice. Amphenol Corp., or to any other person to anyone for any purpose is not to be regarded by implication or otherwise in any manner licensing, granting rights to permitting such holder or any other person to manufacture, use or sell any product, process or design, patented or otherwise, that may in any way be related to or disclosed by said drawings, specifications, or other data.

MATERIAL	DRAWN M.ZHANG	DATE 03-Apr-14
REFERENCE AND CONFIGURATION LEVEL:	ENGINEER MARK.C	DATE 24-Oct-98
FINISH	APPROVED S.HSIEH	DATE 03-Apr-14
	CAD FILE	

TITLE N CRIMP PLUG (FOR RG-174/U, 316/U CABLE)	SCALE: 4.0:1.0	SHEET 2 OF 2	DRAWING NO. 11060801
DWG SIZE B		REV B	ITEM NO. 11060801
			PART NO.

Amphenol RF
www.amphenolrf.com