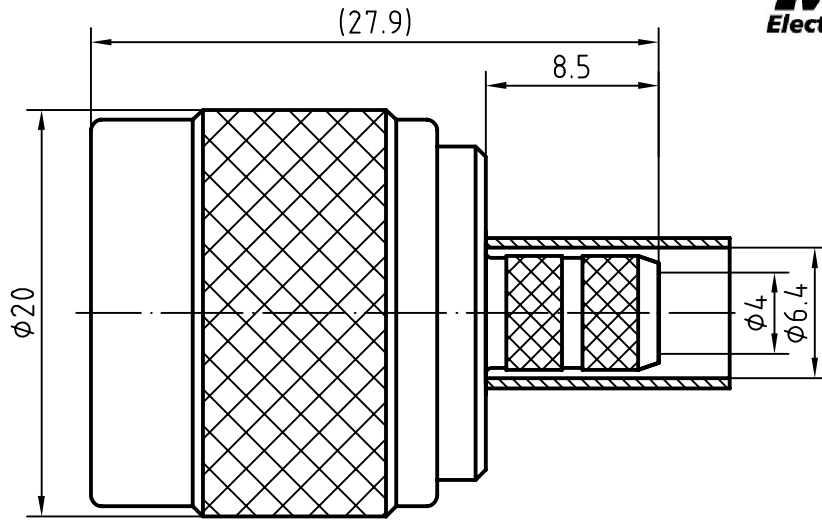
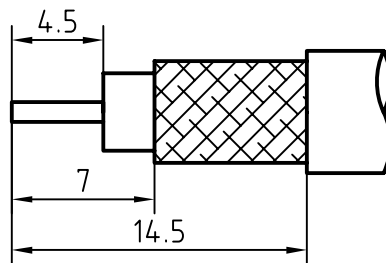


DRAWING



CABLE(LMR240)



5	1	O ring	Silicon rubber
4	1	Coupling nut	Brass/Nickel plated
3	1	Body	Brass/SUCOplated
2	1	Insulator	PTFE
1	1	Center contact	Brass/Sliver plated

Designed by Checked by Approved by - date File name Date Scale

11061201

MRO Electronic Supply Ltd

N Male FLL240

Edition Sheet

CHARACTERISTICS

DESCRIPTION: N male str connector

Electrical data:

Impedance:	50 ohm
Frequency range:	DC to 11 GHz
Return loss:	≥35dB, DC-1GHz ≥28dB, 1-2GHz ≥18dB, 2-6GHz
Insertion loss:	≤0.25dB, DC-6GHz
Insulation resistance:	≥5000MΩ
Test voltage:	2500 V rms
Working voltage:	1400 V rms
Contact resistance:	
1). Centre contact:	1.0 mΩ
2). Outer conductor:	0.25 mΩ
Power handling (at 20 °C, sea level, VSWR 1.0):	1000 W @ 1 GHz 700 W @ 2 GHz
RF-leakage:	≥ 128 dB up to 1 GHz
<i>- Limitations are possible due to the used cable type -</i>	

Environmental data:

Temperature rating:	-55 °C to 155 °C
52/95/EC (RoHS):	Compliant

Mechanical data:

Mating cycles:	≥500
Coupling nut retention:	≥ 450 N
Coupling test torque:	≤1.7 Nm
Recommended torque:	0.7 Nm to 1.1 Nm

Assembly instruction:

A0002

Suitable cables:

LMR240