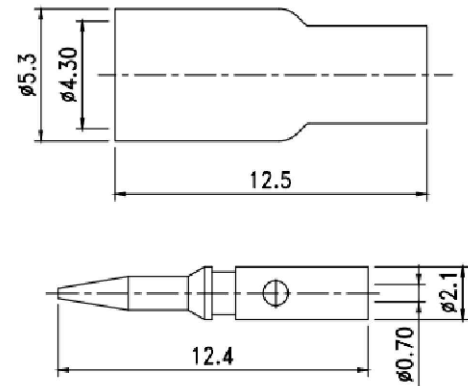
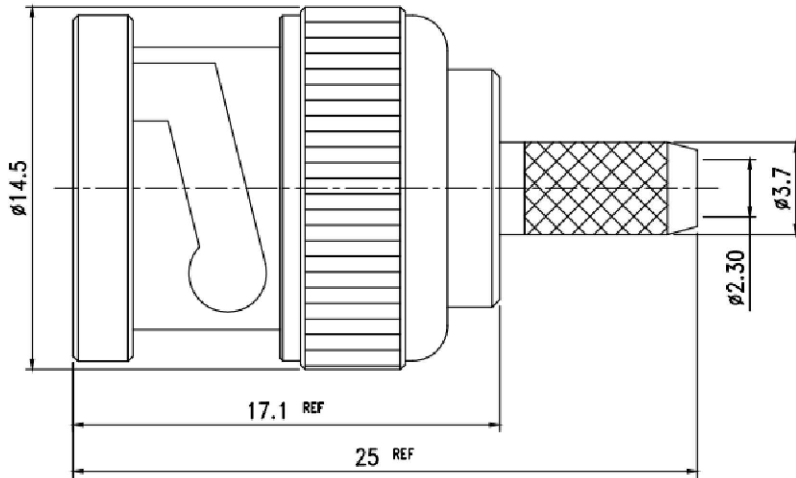


RECOMMENDED
CABLE STRIPPING DIM'S



9.	Ferrule	Brass	1	Nickel
8.	Shell	Brass	1	Nickel
7.	Gasket	Rubber	1	Red
6.	Retaining Ring	SK-5	1	Nickel
5.	Spring	SK-5	1	Nickel
4.	Washer	Brass	1	Nickel
3.	Insulation	Delrin	1	None
2.	Pin	Brass	1	Gold
1.	Body	Brass	1	Nickel
NO.	DESCRIPTION	MATERIAL	Q' TY	FINISH

UNITS: mm

TOLERANCE

.X +/- 0.2
.XX +/- 0.1
.XXX +/- 0.05
ANGLE +/- 0.5

REV NO.	DESCRIPTION	DRN	DATE
1.0	INITIAL RELEASE	AL	02-18-21

PART NO: 13060801		
DESCRIPTION: BNC MALE CRIMP FOR 174/U,188A/U,316/U		
REVISION	SIZE	SHEET
1.0	A	NO. 1 OF 1
THIS INFORMATION IS CONFIDENTIAL AND DISCLOSED TO YOU ON CONDITION THAT NO FURTHER DISCLOSURE IS MADE WITHOUT AUTHORIZATION FROM MRO		



Electronic Parts Sales and Custom Cable Manufacturing
2240 Pegasus Rd NE, Calgary, AB T2E 8G8
Ph: 403-291-0501 Fx: 403-291-0530 Toll Free: 1-800-882-9301
www.mroelectronics.com