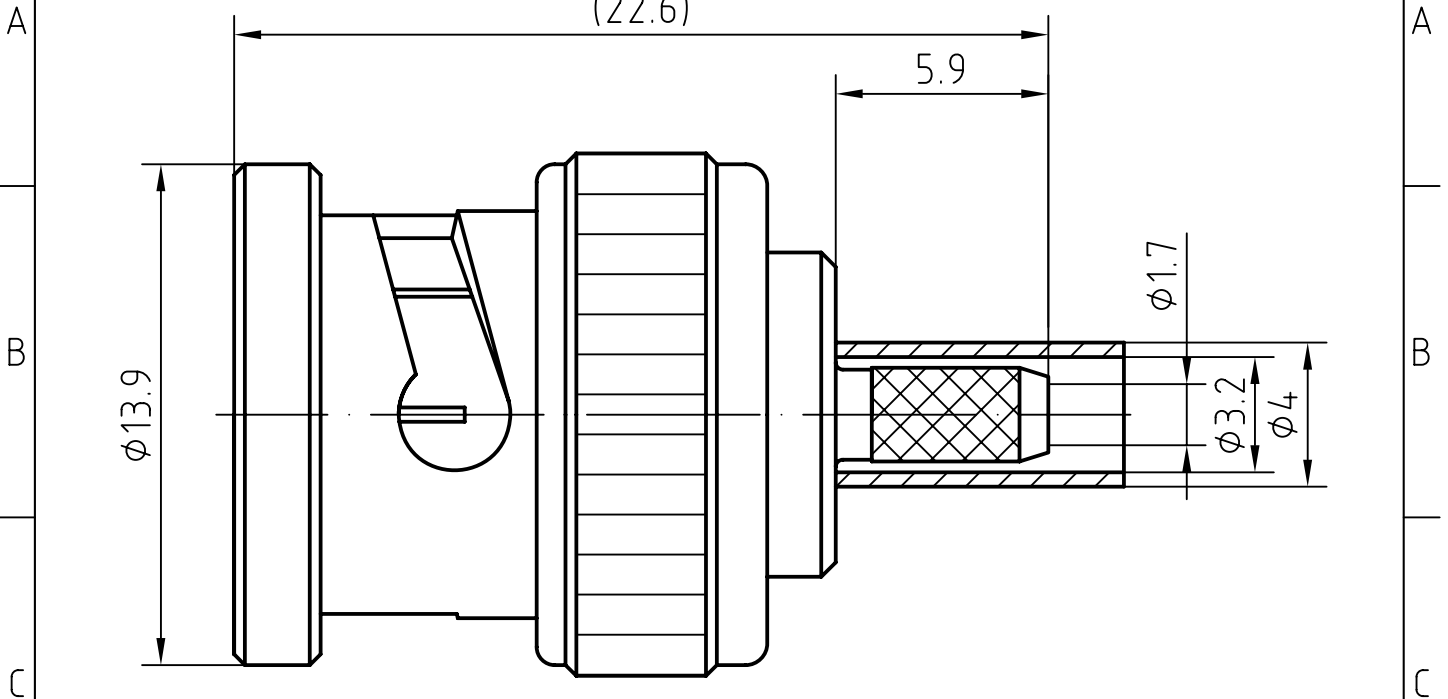
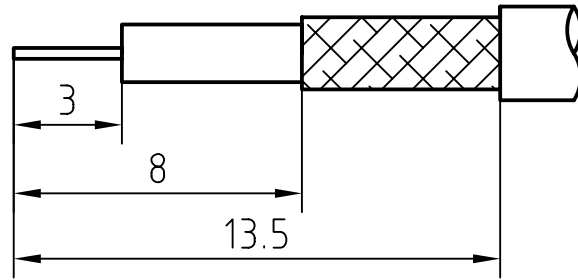


DRAWING



CABLE(RG179)



5	1	Gasket	Silicone rubber	
4	1	Coupling nut	Brass/Nickel plated	
3	1	Body	Brass/Nickel plated	
2	1	Insulator	PTFE	
1	1	Center contact	Brass/Gold plated	

Itemref	Quantity	Title/Name, designation, material, dimension etc	Article No./Reference
---------	----------	--	-----------------------

Designed by	Chc	Approved by - date	File name	Date	Scale
-------------	-----	--------------------	-----------	------	-------

BNC(M) CRIMP RG179 75R		MRO Electronic SUPPLY Ltd		
		13061001	Edition	Sheet