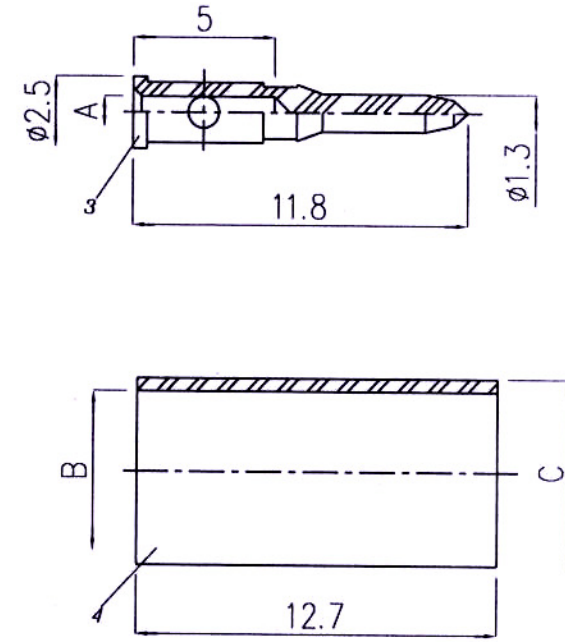
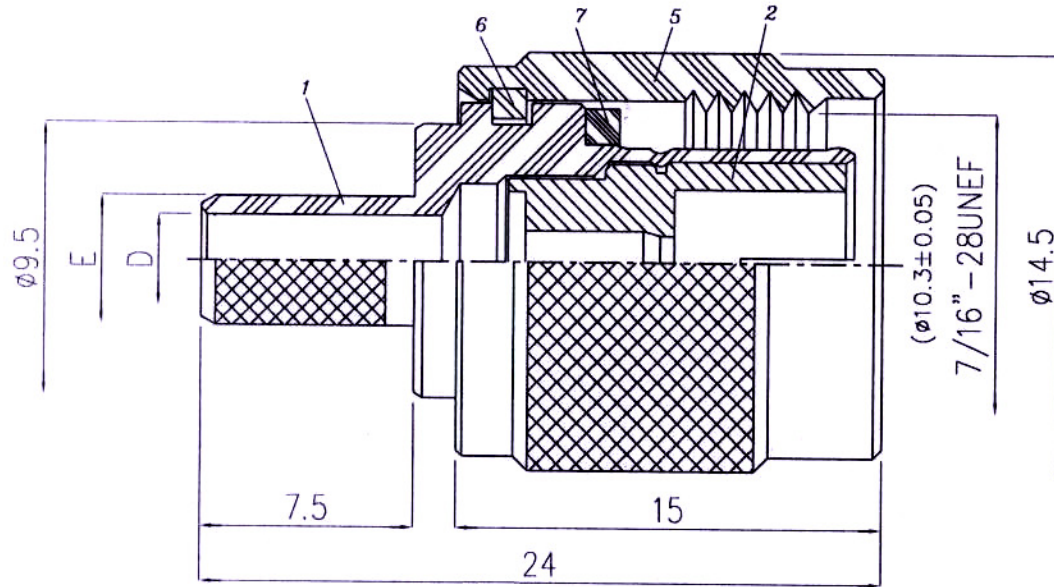


Harmonized Tariff Code 8536.69.20.10 Country of Origin Taiwan



MODEL	A	B	C	D	E
15060601 (58U)	1.05	5.6	6.5	3.2	4.5
15060701 (59U)	0.75	6.6	7.5	4.1	5.5
15060101 (6U)	1.2	7.6	8.5	5.1	6.5

ITEM NO.	*15060601-RoHS				DRAWING NO.		EDITION	
PLATING	NGT				DATE	2004 02 24	DRAWER	
DESCRIPTION	TNC STRAIGHT PLUG CRIMP (RG-6.58.59)				UNIT	mm	SCALE	3.5:1
								APPROVED

NO	DESCRIPTION	Q'TY	ITEM NO.	MATERIAL	PLATING
1	BODY	1		BRASS	NICKEL 100μ" MIN.
2	DIELECTRIC	1		TEFLON	-
3	CENTER PIN	1		BRASS	GOLD 3-5μ" MIN.
4	FERRULE	1	F-06001, F-07001 F-08001	BRASS	NICKEL 100μ" MIN.
5	SHELL	1		BRASS	NICKEL 100μ" MIN.
6	RETAINING RING	1		BRASS	NICKEL 100μ" MIN.
7	GASKET	1		RUBBER	-