

1

2

3

4

5

6

| | | | | |
|-------|---------------|------|-----------|---------|
| RevNo | Revision note | Date | Signature | Checked |
|-------|---------------|------|-----------|---------|

A

A

B

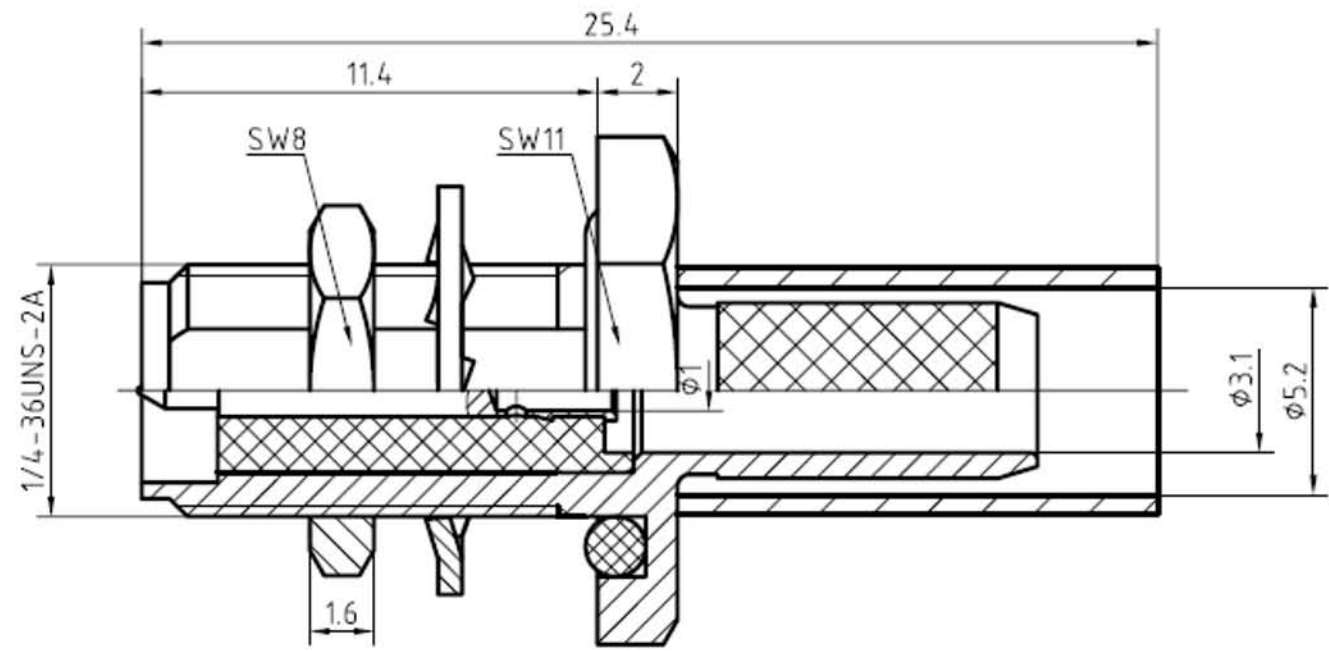
B

C

C

D

D



Harmonized Tariff Code 8536.69.20.10 Country of Origin China

| | | | | |
|---|---|-------------|------------------------------|--|
| 6 | 1 | O ring | Silicon rubber | |
| 5 | 1 | Lock nut | Brass/Gold plated | |
| 4 | 1 | Lock washer | Beryllium bronze/Gold plated | |
| 3 | 1 | Insulator | PTFE | |
| 2 | 1 | Center pin | Brass/Gold plated | |
| 1 | 1 | Body | Brass/Gold plated | |

| | | | |
|---------|----------|--|-----------------------|
| Itemref | Quantity | Title/Name, designation, material, dimension etc | Article No./Reference |
|---------|----------|--|-----------------------|

| | | | | | |
|-------------|------------|--------------------|-----------|------|-------|
| Designed by | Checked by | Approved by - date | File name | Date | Scale |
|-------------|------------|--------------------|-----------|------|-------|

| | | |
|----------|--------------------------|---------------------|
| 19030662 | Title: SMA B/H Rev. Pol. | |
| | Crimp RG58 | Edition 0 Sheet 1/1 |



1

2

3

4

5

6