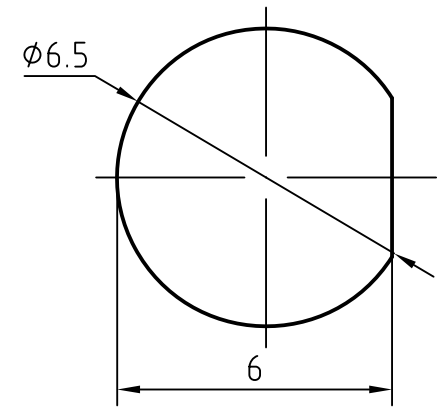
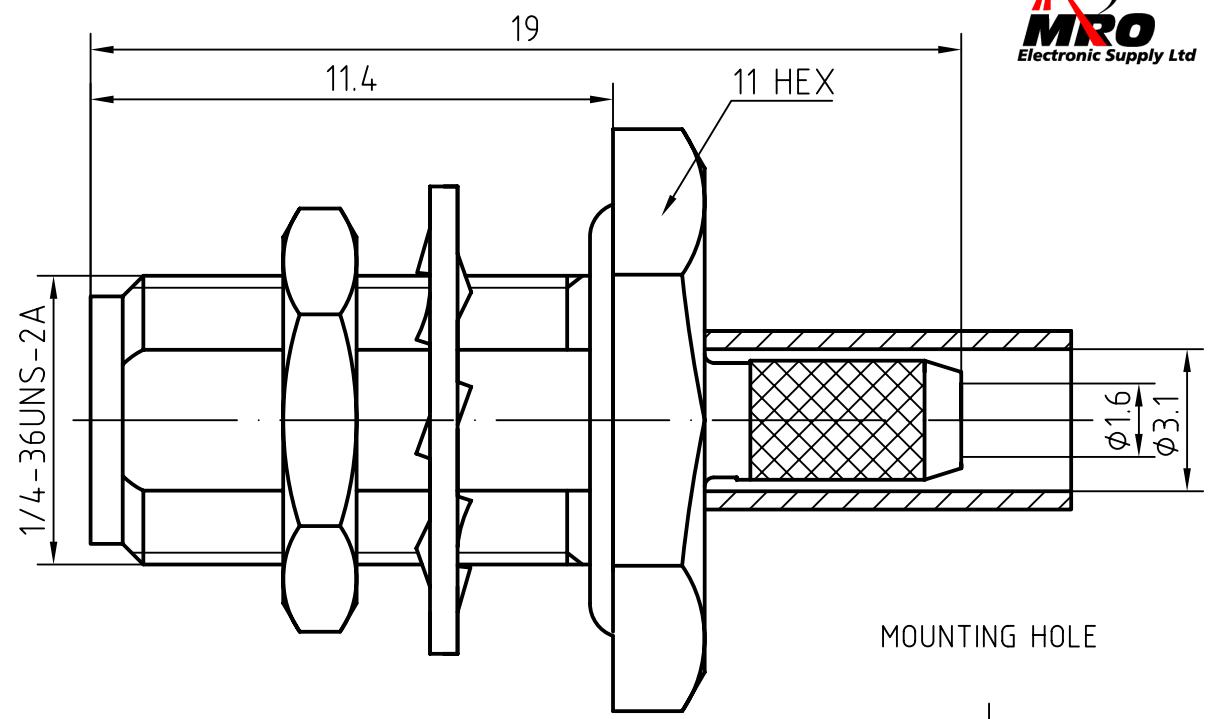


| | | | |
|-------|---------------|------|-----------|
| 1 | 2 | 3 | 4 |
| RevNo | Revision note | Date | Signature |
| | | | Checked |



| | | | | |
|---|---|----------------|------------------------------|----------------------|
| 6 | 1 | O-RING | Silicone rubber | |
| 5 | 1 | Nut | Drass/Gold plated | |
| 4 | 1 | Washer | Beryllium bronze/Gold plated | |
| 3 | 1 | Insulator | PTFE | |
| 2 | 1 | Body | Drass/Gold plated | |
| 1 | 1 | Center contact | Beryllium bronze/Gold plated | Pin Reverse Polarity |

| | | | | | |
|-------------|----------|--|-----------|-----------------------|-------|
| Itemref | Quantity | Title/Name, designation, material, dimension etc | | Article No./Reference | |
| Designed by | Chc | Approved by - date | File name | Date | Scale |

| | | | |
|-------------------|---------------------------|---------|-------|
| SMA B/H REV. POL. | MRO Electronic Supply Ltd | | |
| | 19030862 | Edition | Sheet |