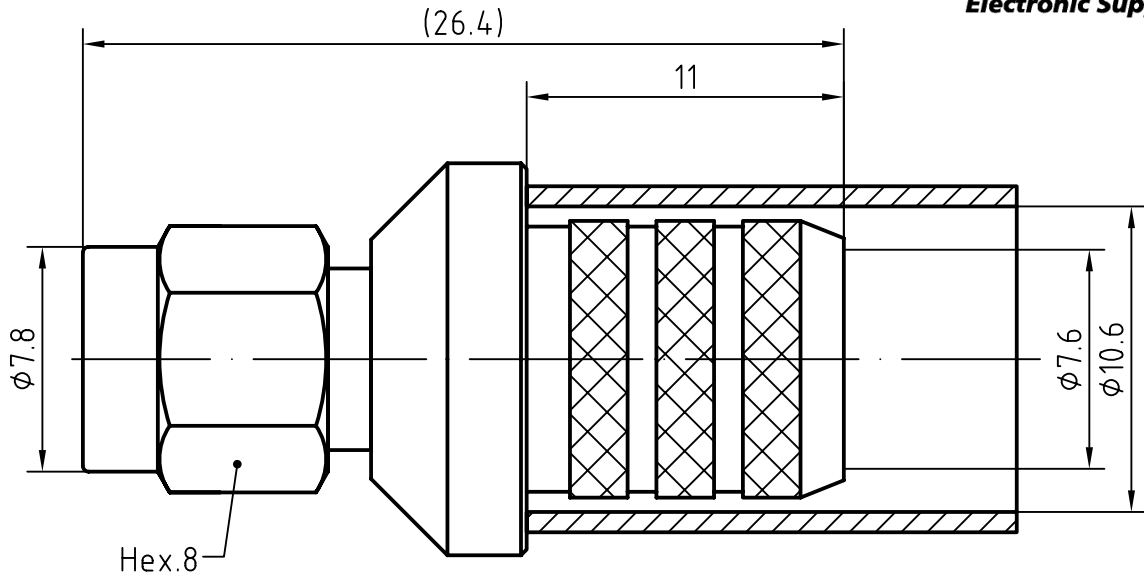
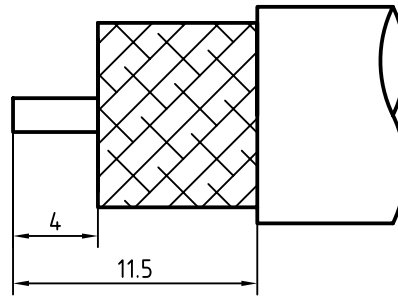


DRAWING



CABLE(LMR400)



6	1	Crimp ferrule	Coper alloy/Nickel	
5	1	O ring	Silicon ruber	
4	1	Coupling nut	Brass/Gold plated	
3	1	Body	Brass/Gold plated	
2	1	Insulator	PFTE	
1	1	Center contact	Brass/Gold plated	

Itemref	Quantity	Title/Name, designation, material, dimension etc		Article No./Reference	
Designed by	Chec	Approved by - date	File name	Date	Scale

SMA MALE FLL400 (LMR400 TYPE)

MRO Electronic Supply Ltd

19061102

Edition Sheet