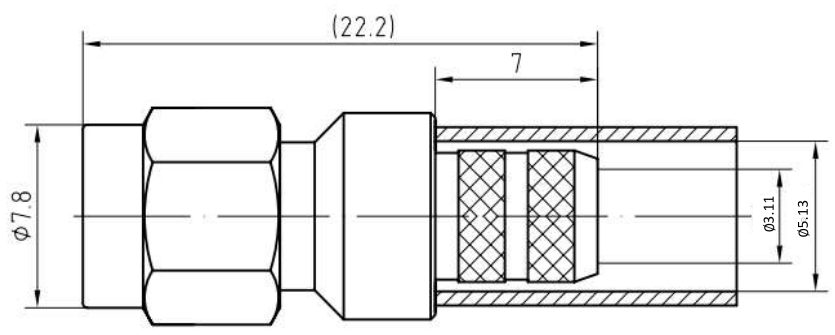
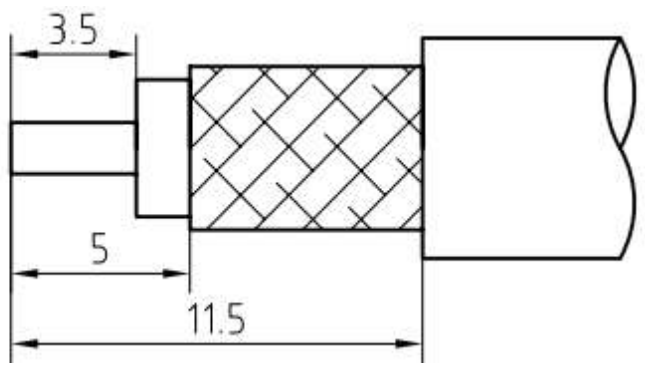


19061202

DESCRIPTION: SMA Male type connector



Cable: LMR240, RG8X



ITEM REF	QTY	NAME	MATERIAL
6	1	Crimp ferrule	Copper alloy/Nickel
5	1	O ring	Silicon rubber
4	1	Coupling nut	Brass/Gold plated
3	1	Body	Brass/Gold plated
2	1	Insulator	PFTE
1	1	Center contact	Beryllium copper/Gold plated

This information is confidential and is disclosed to you on condition that no further disclosure is made without authorization from MRO



19061202

Electrical data:

Impedance:	50 ohm
Frequency range:	DC to 6 GHz
VSWR:	$\leq 1.08 + 0.02 \times f$ [GHz], DC to 6 GHz
Insertion loss:	$\leq 0.05 \times \sqrt{f}$ [GHz] dB
Insulation resistance:	$\geq 5000\text{M}\Omega$
Test voltage:	1000 V rms
Working voltage:	500 V rms
Contact resistance:	
1). Centre contact:	3.0 m Ω
2). Outer conductor:	2.0 m Ω
Power handling (at 20 °C, sea level, VSWR 1.0)	≤ 200 W @ 2 GHz;
RF-leakage	≥ 100 dB up to 1 GHz

- Limitations are possible due to the used cable type -

Environmental data:

Temperature rating:	-55 °C to 155 °C
2002/95/EC (RoHS):	Compliant

Mechanical data:

Mating cycles:	≥ 500
Coupling nut retention	≥ 270 N
Coupling test torque:	≤ 1.1 Nm
Recommended torque:	0.46 Nm to 0.69 Nm

Suitable cables:

LMR240