

1

2

3

4

5

6

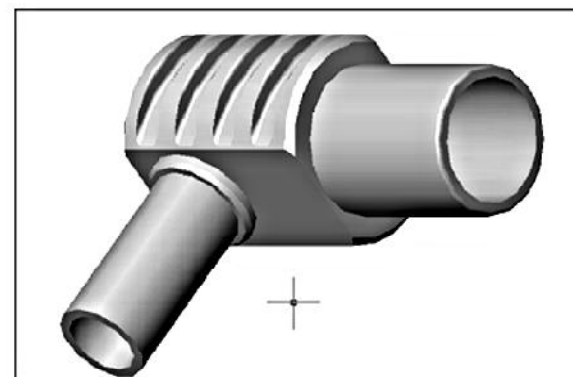
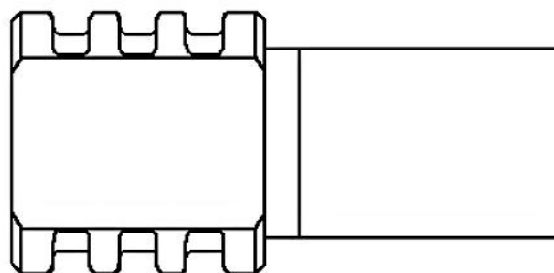
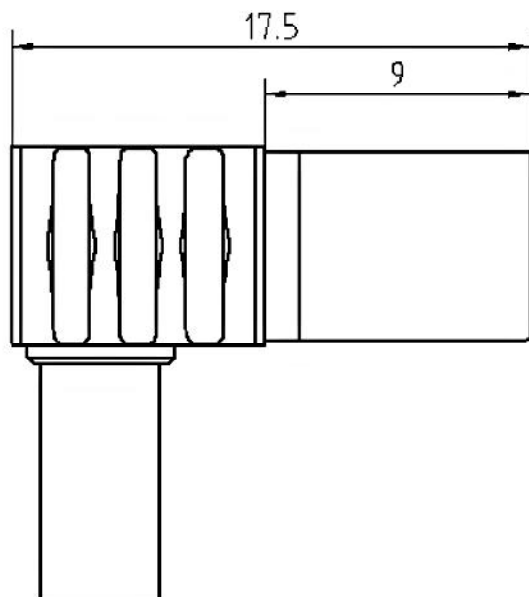
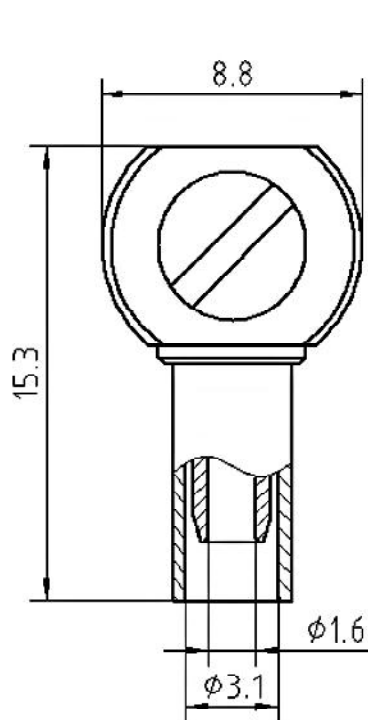
| RevNo | Revision note | Date | Signature | Checked |
|-------|---------------|------|-----------|---------|
|-------|---------------|------|-----------|---------|

A

B

C

D



A

B

C

D

MRO Electronic Supply Ltd

**MRO**  
Electronic Supply Ltd

|           |   |                    |                              |                  |                |
|-----------|---|--------------------|------------------------------|------------------|----------------|
| 3         | 1 | Body               | Brass/Gold plated            |                  |                |
| 2         | 1 | Insulator          | PTFE                         |                  |                |
| 1         | 1 | Centre contact     | Beryllium coper /Gold plated |                  |                |
|           |   | Approved by - date | File name                    | Date<br>10.03.04 | Scale<br>4 : 1 |
| 2413X0802 |   |                    | Title: SMB R/A RG316         |                  |                |
|           |   |                    | Customer drawing No.:        | Edition<br>1.0   | Sheet<br>1/1   |

1

2

3

4

5

6