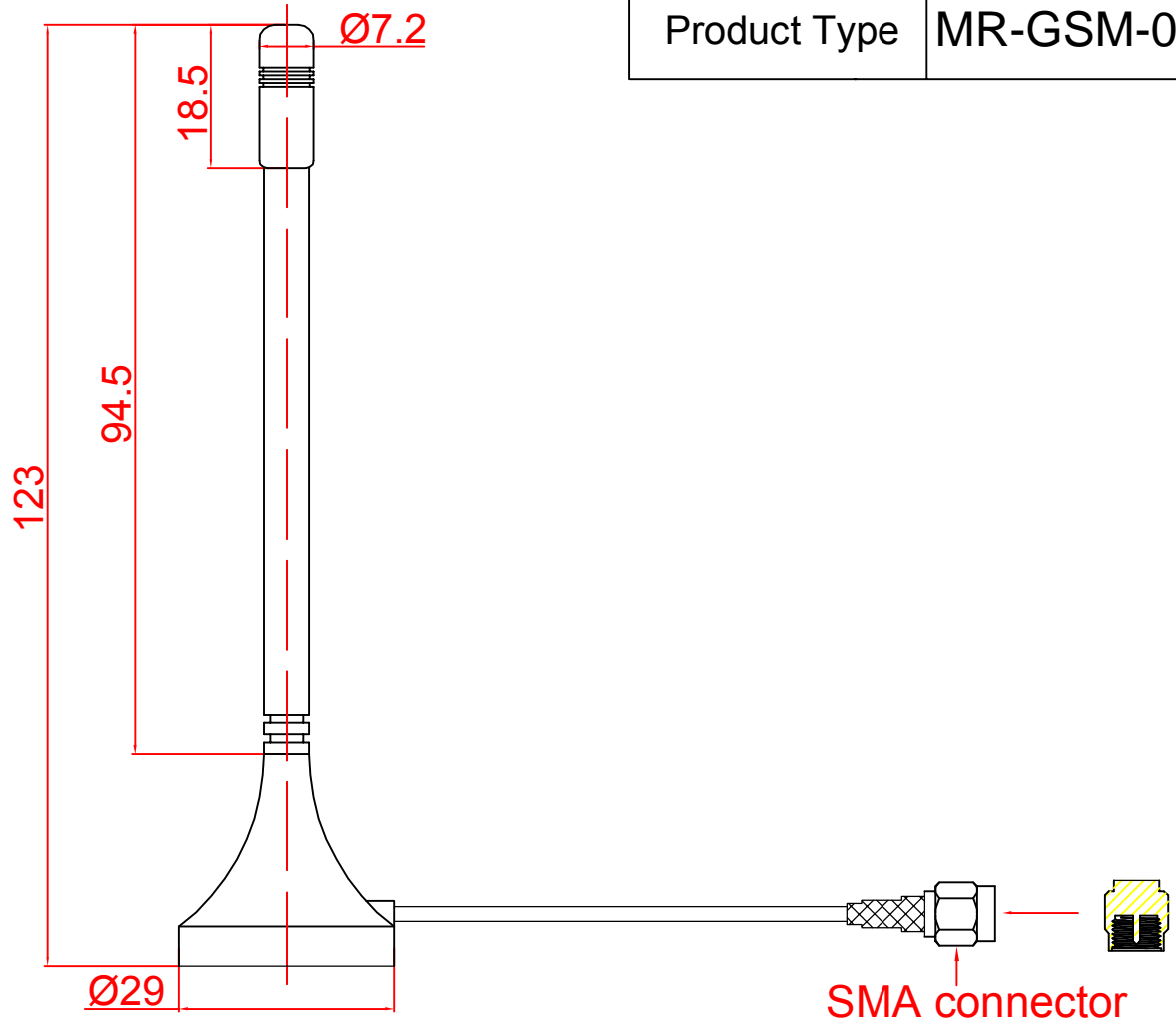




Product Type	MR-GSM-04
--------------	-----------

- Model:** MR-GSM-04
Quad-band antenna
 1.Fre:870~960 /1710~1880MHz
 2.Gain:4dBI
 3.V.S.W.R:≤2.0
 4.Polarization:Vertical
 5.Maximun input power:50w
 6.Connector:SMA/M
 7.Impedance:50ohm
 8.Temperature:-40~70°
 9.Input Power:50w
 10.Weight:55g
 11.CableType:rg174/3M



Frequency detail 824 - 849 MHz / 869 - 894 MHz
 and 1850 - 1910 MHz / 1930 - 1990 MHz

3										
2			STANDARD	SCALE			1PCS	DR.		
1				SPEC			55g	VENDER		
NO.	PARTNAME	DESCRIPTION	MATERIAL	DWG NO.	MR-GSM-04		REV	A	CHKD	
				SHEET	1/1	UNIT	MM		DAY	2013/06/28