

MR2400AT7

2.4GHz Fiberglass Omni Antenna Technical Sheet



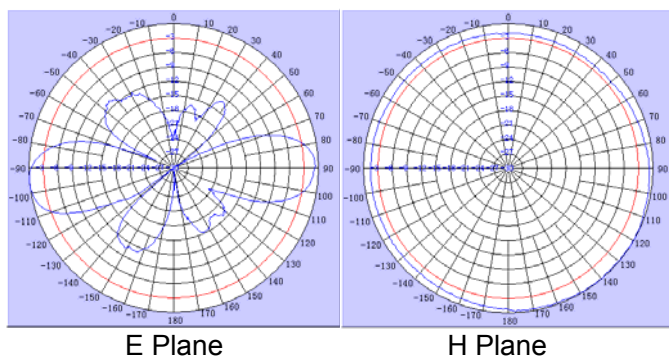
Applications

- 2.4GHz ISM Band
- 2.4GHz Wireless LAN Systems
- Multipoint Applications

Features

- Low VSWR
- Lightweight Fiberglass Radome
- Supplied with Mast Mounting Kit

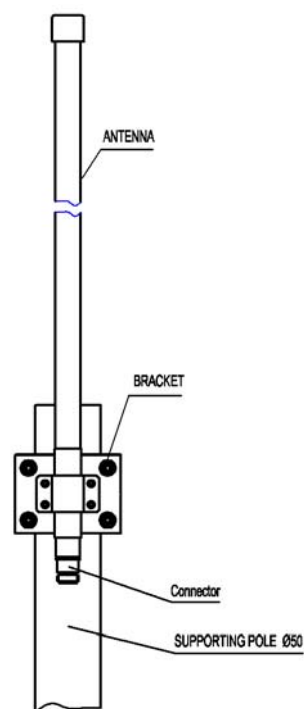
Pattern



Specifications

Model	MR2400AT7
Freq. Range-MHz	2400~2483
Bandwidth-MHz	83
Gain-dBi	7
Beamwidth-°	E:22
VSWR	≤1.5
Impedance-Ω	50
Polarization	Vertical
Max. Power-W	100
Connector Type	N-Female or Customization
Dimension-m	0.7
Weight-Kg	0.8
Pole Diameter-mm	Φ40~50

Install Sketch



CUSTOM CABLE ASSEMBLIES AVAILABLE

